



HOSE REELS AISI 316

CE Made in Italy

No. E15/AA



HELP THE NATURE

Packaging contains, depending on the articles, one or more of the following materials; they must be recycled in accordance with current regulations in the country of use.

cardboard • polyethylene sack • polystyrene • paper • wood • nails
• plastic strap • cellophane • clips • gummed paper



OUR STRENGTHS POINTS

The widest range of technology for fluidynamics designed to meet all the needs of our clients with cutting-edge solutions, even the most specific.

The quality, reliability and design that have always distinguished the Ecodora brand in the global market.

A technical service before and after sales to recommend the most suitable product according to the customer's needs as well as to provide support to the end users.

OUR GOAL

To meet every user's needs by offering only high quality products.



www.ecodora.com
info@ecodora.com

CE Made in Italy

STUDY, RESEARCH AND DESIGN

The real strength of a firm starts with the ability of its study and research departments to always find the most suitable solutions to address market demands.



TECHNICAL ASSISTANCE

ECODORA has the most complete range of products for lubrication and the dispensing of fluids. The aim is to always respond fully to the questions of our customers and meet all their needs.

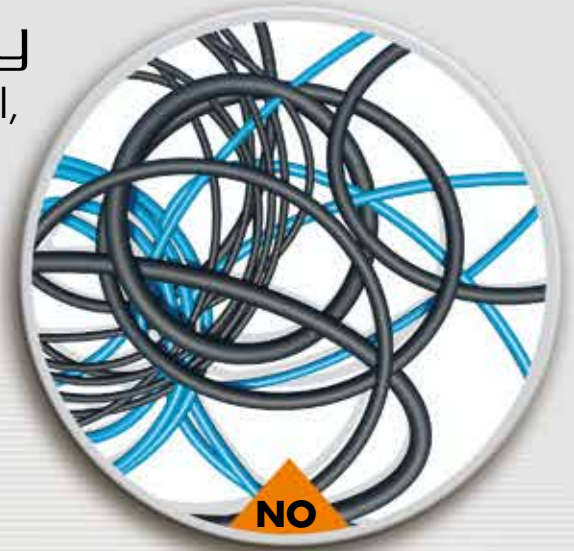


✓ HOSE REEL ADVANTAGES

- ▶ **Hose reels are a convenient solution for the hose clutter. Only with them you can easily and swiftly use the hose desired length, increasing the efficiency and the functionality.**

Efficiency

With the hose reel, hose rewinding is quick and safe, for an **orderly workplace.**



Saving

The hose reel **safeguards against wear and possible breakage of the hoses themselves.**



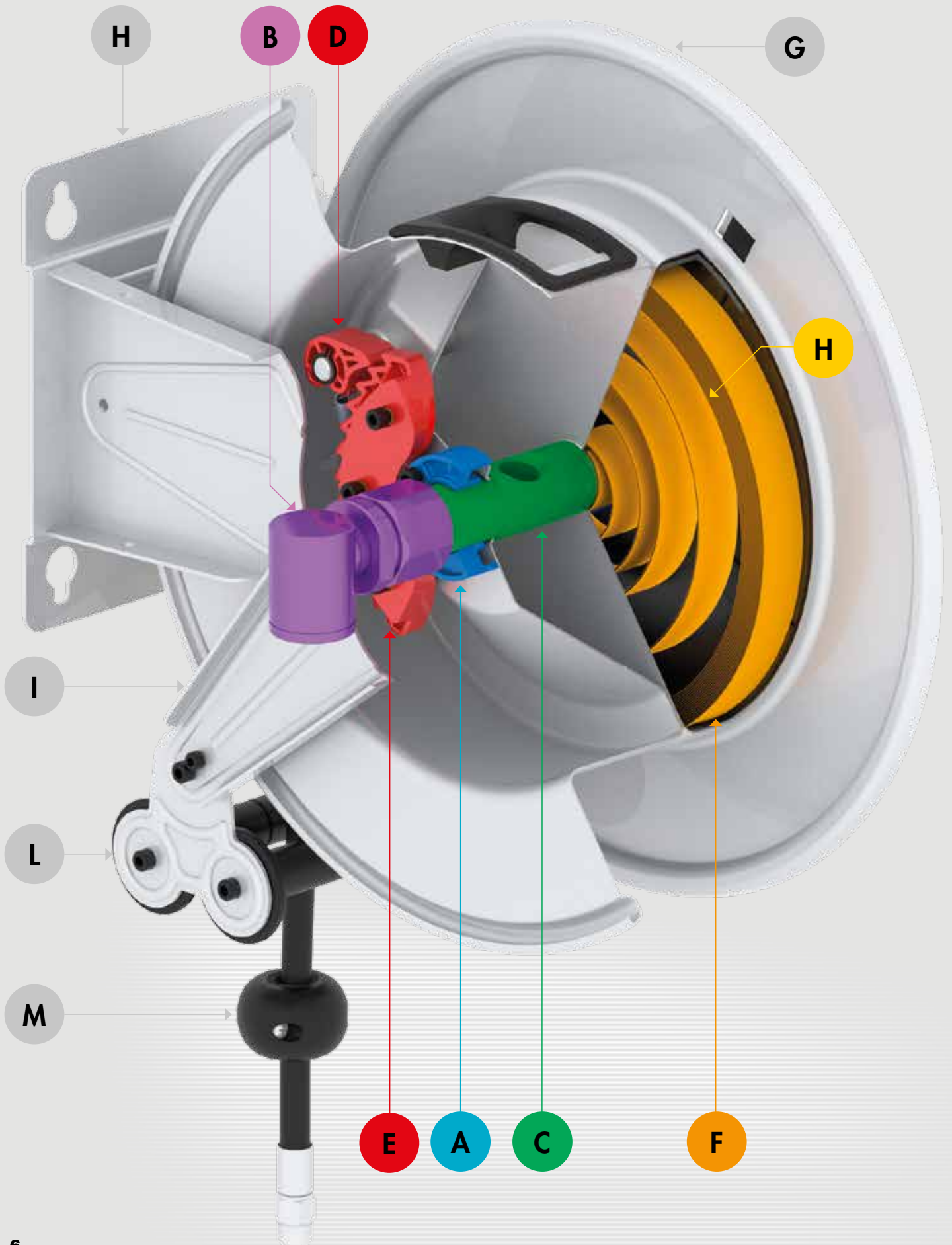
Safety

The hose reel **allows workers to operate in a safe workplace, using equipment always ready for use.**



SPRING Series 430-530-540-560 - AISI 316

Technical characteristics





DRUM SUPPORT BUSHINGS

Drum support bushings in Tenaxid, a self lubricating technopolymer resistant against corrosion.



SWIVEL JOINT

Designed with the ideal internal dimensions to guarantee the most possible flow. It is realized in AISI 316 with seals in Teflon®.



CENTRAL PIN

Made in stainless steel AISI 316, with passage sized to avoid pressure losses.



PAWL

Easy to remove in case of maintenance, of increased thickness with reinforcing ribs ensuring high stress resistance and durability.



STOPPING RACK

It offers the possibility to block the cable every 0,5 m.



REWINDING SPRING

Rewinding spring totally protected from the external environment. The spring is subjected to a durability test of 20000 cycles (each cycle corresponds to the complete unwinding and rewinding of the cable) thus simulating an average life of over 10 years. Possibility to intervene to adjust the spring force increasing or decreasing the preload.



DRUM

Sturdy and practical, with beads to reinforce the structure and rounded border. Made in stainless steel AISI 316.



FIXED BRACKET

Solid and compact fixed bracket with 4 slotted mounting holes for easy and safe installation. Made in stainless steel AISI 316.



ADJUSTABLE ARM

To favour hose extraction according to hose reel installation.



HOSE GUIDE WITH ROLLERS

Wide width which allows to guide properly the hose for correct rewind. Equipped rollers, arranged horizontally that reduce hose wear.



HOSE STOP

Comes with all hose reels equipped with hose, complete with adapters for using hoses of different diame.



STRENGTH POINTS

- ▶ **The stainless steel AISI 316** allows the use of the hose reel in aggressive environments
- ▶ Can be used with **a lot of fluids and corrosive solutions**
- ▶ **Swivel joint and screws** in stainless steel AISI 316 for a better quality and durability
- ▶ All the models are in accordance with the **Atex directive**
- ▶ Available with **all the Raasm standard dimensions** (430-530-540-560 series)
- ▶ Certified hose for **food industry** available on request
- ▶ Greater security in your workplace with an equipment always **in order**

These hose reels have the drum and the fixed bracket in stainless steel AISI 316. For this reason they are highly resistant during the years, in aggressive environments and with corrosive fluids.

SERIES 430

SERIES 530

In accordance with directive Atex 94/9 IIB 2 GD c T4 T135 °C X

Toughness and durability



Note: All the hose reels in the table are without hose

	SERIES 430	SERIES 530	Connection	
	P/N	P/N	inlet	outlet
100 bar - AISI 316 stainless steel swivel joint - Teflon® seals	435/20	535/20	F1/2"G	F1/2"G
200 bar - AISI 316 stainless steel swivel joint - Teflon® seals	435/30	535/30	F3/8"G	F1/2"G
400 bar - AISI 316 stainless steel swivel joint - Teflon® seals	435/35	535/35	F3/8"G	F1/2"G
	N°1 packing m³ 0,098 kg 16	N°1 packing m³ 0,130 kg 26		

Some of the most common fluids compatible:

Water ≤ 130° C

Oil and similar

Grease

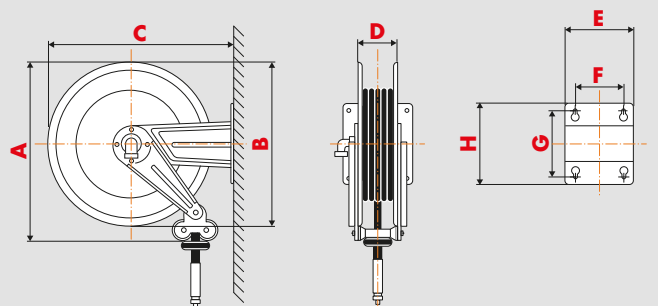
Diesel fuel

AdBlue®

Hose reel capacity

ø hose external	Series 430	Series 530
1/4"	14 mm	Length max 20 m
3/8"	17 mm	Length max 21 m
1/2"	20 mm	Length max 15 m
5/8"	21 mm	Length max 12 m
3/4"	27 mm	Length max 8 m
1"	34 mm	Length max 11 m

Overall dimensions (mm)



Series	A	B	C	D	E	F	G	H
430	460	420	460	115	186	140	196	226
530	550	510	560	115	203	153	220	258

These hose reels have the drum and the fixed bracket in stainless steel AISI 316. For this reason they are highly resistant during the years, in aggressive environments and with corrosive fluids.



In accordance with directive Atex 94/9 IIB 2 GD c T4 T135 °C X



Toughness and durability

SERIES 540

SERIES 560



Note: All the hose reels in the table are without hose

100 bar
- AISI 316 stainless steel swivel joint
- Teflon® seals

	SERIES 540	SERIES 560	Connection	
	P/N	P/N	inlet	outlet
	545/20	565/20	F 1" G	F 1" G
	📦 N°1 packing m³ 0,214 🏺 kg 21	📦 N°1 packing m³ 0,264 🏺 kg 39		

Some of the most common fluids compatible:

Water ≤ 130° C

Oil and similar

Grease

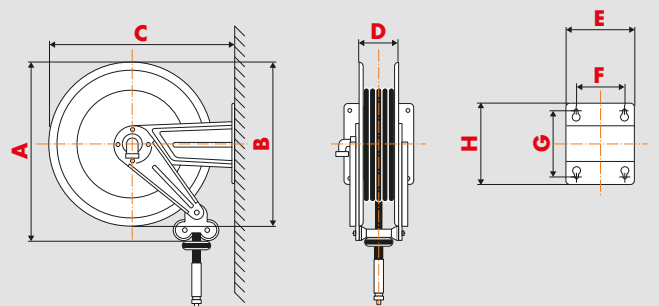
Diesel fuel

AdBlue®

Hose reel capacity

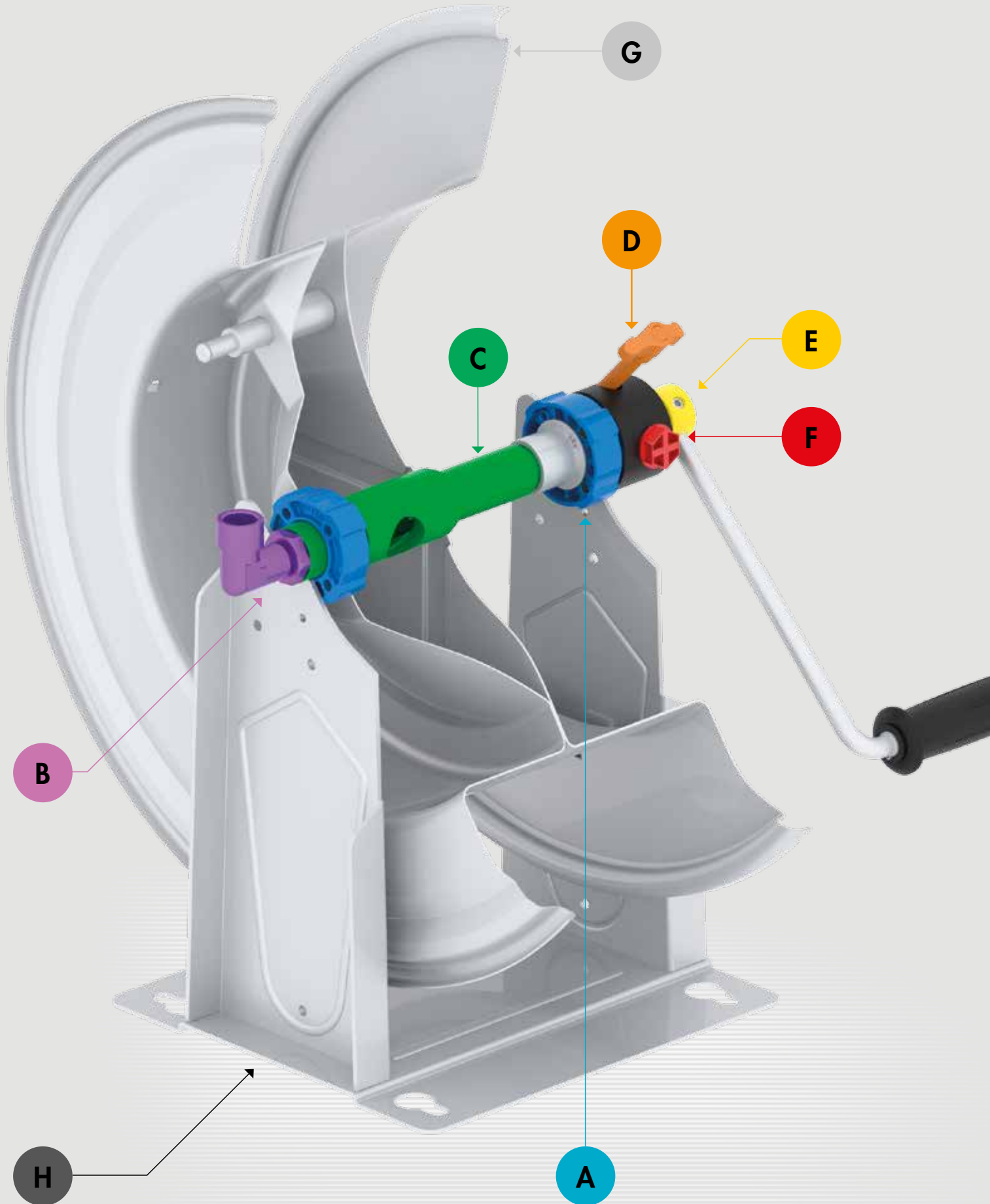
ø hose external		Series 540	Series 560
1/4"	14 mm	Length max 30 m	Length max 55 m
3/8"	17 mm	Length max 30 m	Length max 55 m
1/2"	20 mm	Length max 30 m	Length max 60 m
5/8"	21 mm	Length max 30 m	Length max 60 m
3/4"	27 mm	Length max 20 m	Length max 40 m
1"	34 mm	Length max 15 m	Length max 30 m

Overall dimensions (mm)



Series	A	B	C	D	E	F	G	H
540	550	510	573	190	300	218	228	268
560	550	510	578	368	488	399	238	272

Technical characteristics



A**DRUM SUPPORT BUSHINGS**

Drum support bushings in Tenaxid, a self lubricating technopolymer resistant against corrosion.

B**SNODO GIREVOLE**

Designed with the ideal internal dimensions to guarantee the most possible flow. It is realized in AISI 316 with seals in Teflon®.

C**CENTRAL PIN**

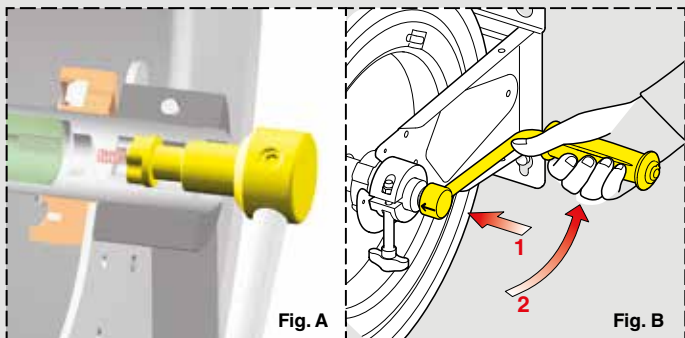
Made in stainless steel AISI 316, with passage sized to avoid pressure losses.

D**REGULATION CLUTCH**

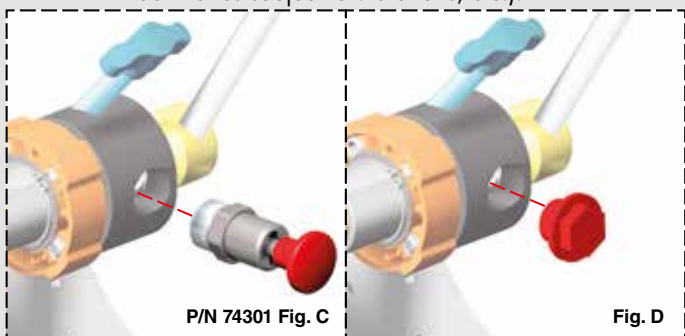
Allows to regulate the drum rotation speed during the hose unwinding. It works also as a rotation lock.

E**SECURITY SYSTEM**

The hose reel is designed with a new security system that allows the handle to stay in place, avoiding the rotation, during the manual hose unreeling.

**F****ROTATION LOCK**

This special device stops any drum movement and is available only on request. Its use is highly recommended during moving applications (i.e. trucks, machineries subject to vibrations, etc.).

**G****DRUM**

Sturdy and practical, with beads to reinforce the structure and rounded border. Made in stainless steel AISI 316.

H**FIXED BRACKET**

Solid and compact fixed bracket with 4 slotted mounting holes for easy and safe installation. Made in stainless steel AISI 316.

**STRENGTH POINTS**

- ▶ Security system that **prevents the handle rotation** while the hose unreels, thus avoiding accidental damages to people or things
- ▶ **AISI 316 stainless steel** version for particularly aggressive environments
- ▶ **Max reel capacity.** The spring absence allows for the maximum utilization of the drum space
- ▶ **Great handling** thanks to its lightweight
- ▶ Available with **rotation block** for use in environments with vibrations (trucks, industrial machines, etc)
- ▶ **Compatible with numerous fluids types**, also aggressive
- ▶ **Certified hose for food industry** available on request
- ▶ Available with **all the Raasm standard dimensions** (430-530-540-560 series)

These manual hose reels have the drum and the fixed bracket in stainless steel AISI 316. For this reason they are highly resistant during the years, in aggressive environments and with corrosive fluids.

SERIES 430

SERIES 530



Note: All the hose reels in the table are without hose

	SERIES 430	SERIES 530	Connection	
	P/N	P/N	inlet	outlet
100 bar - AISI 316 stainless steel swivel joint - Teflon® seals	74350/20	75350/20	F1/2"G	F1/2"G
200 bar - AISI 316 stainless steel swivel joint - Teflon® seals	74350/30	75350/30	F3/8"G	F1/2"G
400 bar - AISI 316 stainless steel swivel joint - Teflon® seals	74350/35	75350/35	F3/8"G	F1/2"G
	N°1 packing m³ 0,122 kg 14,5	N°1 packing m³ 0,156 kg 16		

Some of the most common fluids compatible:

Water ≤ 130° C

Oil and similar

Grease

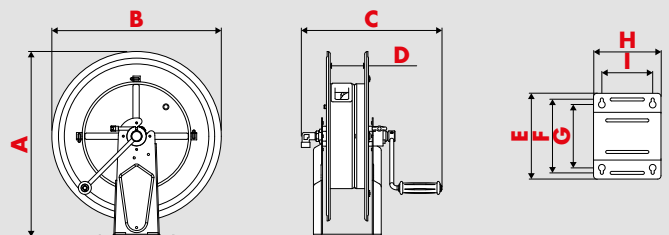
Diesel fuel

AdBlue®

Hose reel capacity

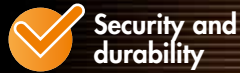
ø hose external	Series 430	Series 530
1/4"	14 mm Length max 40 m	Length max 60 m
3/8"	17 mm Length max 18 m	Length max 35 m
1/2"	20 mm Length max 15 m	Length max 25 m
5/8"	21 mm Length max 12 m	Length max 18 m
3/4"	27 mm Length max 8 m	Length max 15 m
1"	34 mm -	Length max 7 m

Dimensioni ingombro (mm)



Series	A	B	C	D	E	F	G	H	I
430	458	415	410	115	226	196	170	186	140
530	558	510	423	115	258	221	190	203	153

These manual hose reels have the drum and the fixed bracket in stainless steel AISI 316. For this reason they are highly resistant during the years, in aggressive environments and with corrosive fluids.



SERIES 540

SERIES 560



Note: All the hose reels in the table are without hose

100 bar
- AISI 316 stainless steel swivel joint
- Teflon® seals

	SERIES 540	SERIES 560	Connection	
	P/N	P/N	inlet	outlet
	75450/20	75650/20	F 1" G	F 1" G
	N°1 packing m³ 0,214 kg 21	N°1 packing m³ 0,280 kg 36		

Some of the most common fluids compatible:

Water ≤ 130° C

Oil and similar

Grease

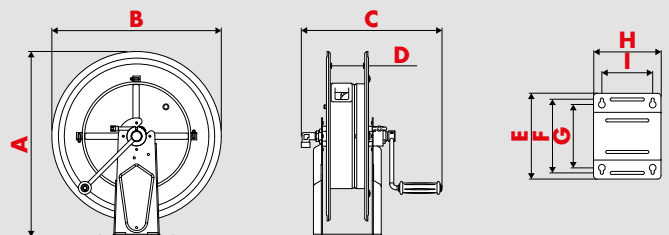
Diesel fuel

AdBlue®

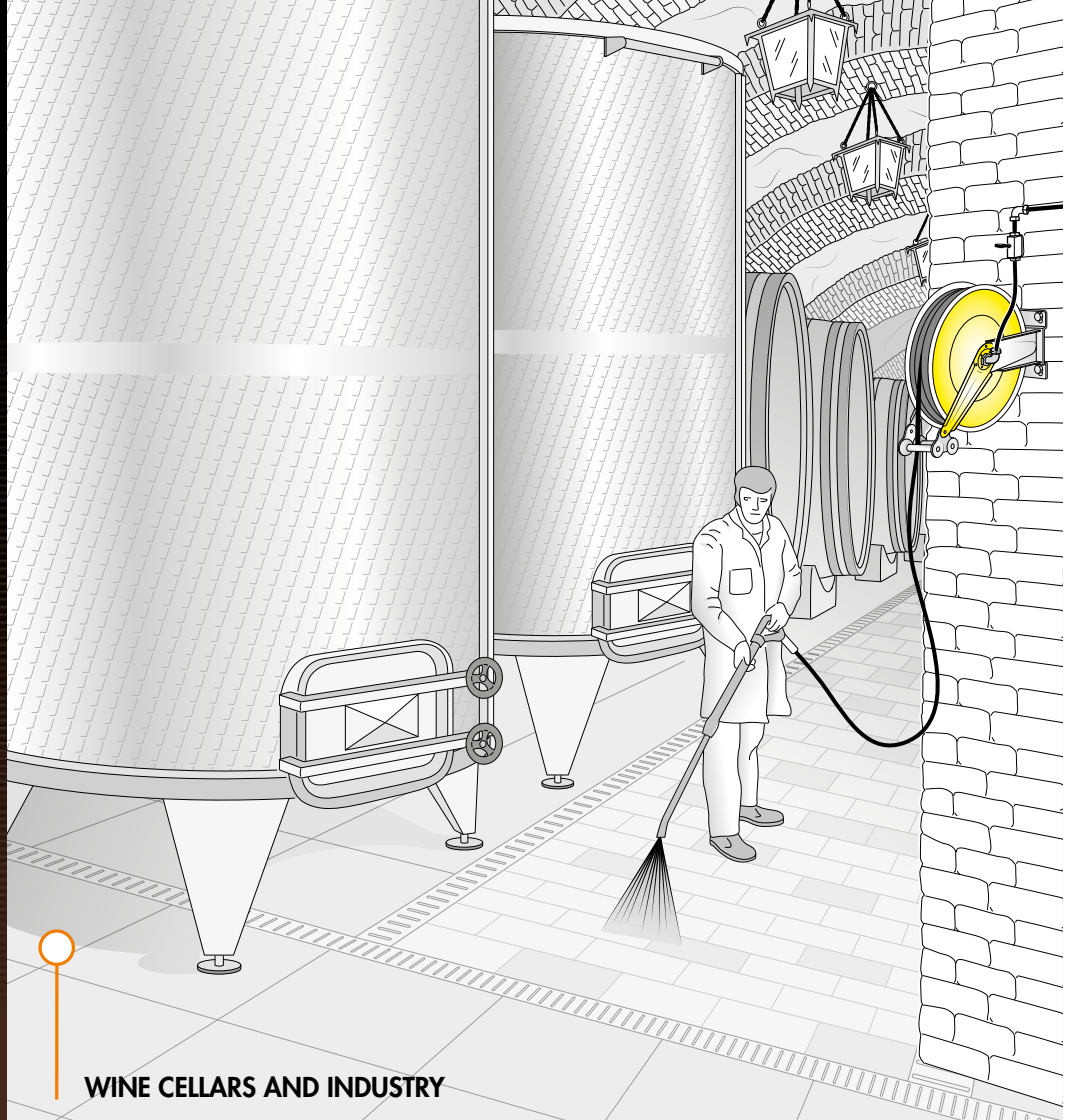
Hose reel capacity

ø hose external	Series 540	Series 560
1/4"	14 mm Length max 110 m	Lunghezza max 200 m
3/8"	17 mm Length max 60 m	Lunghezza max 120 m
1/2"	20 mm Length max 45 m	Lunghezza max 85 m
5/8"	21 mm Length max 25 m	Lunghezza max 60 m
3/4"	27 mm Length max 20 m	Lunghezza max 45 m
1"	34 mm Length max 15 m	Lunghezza max 30 m

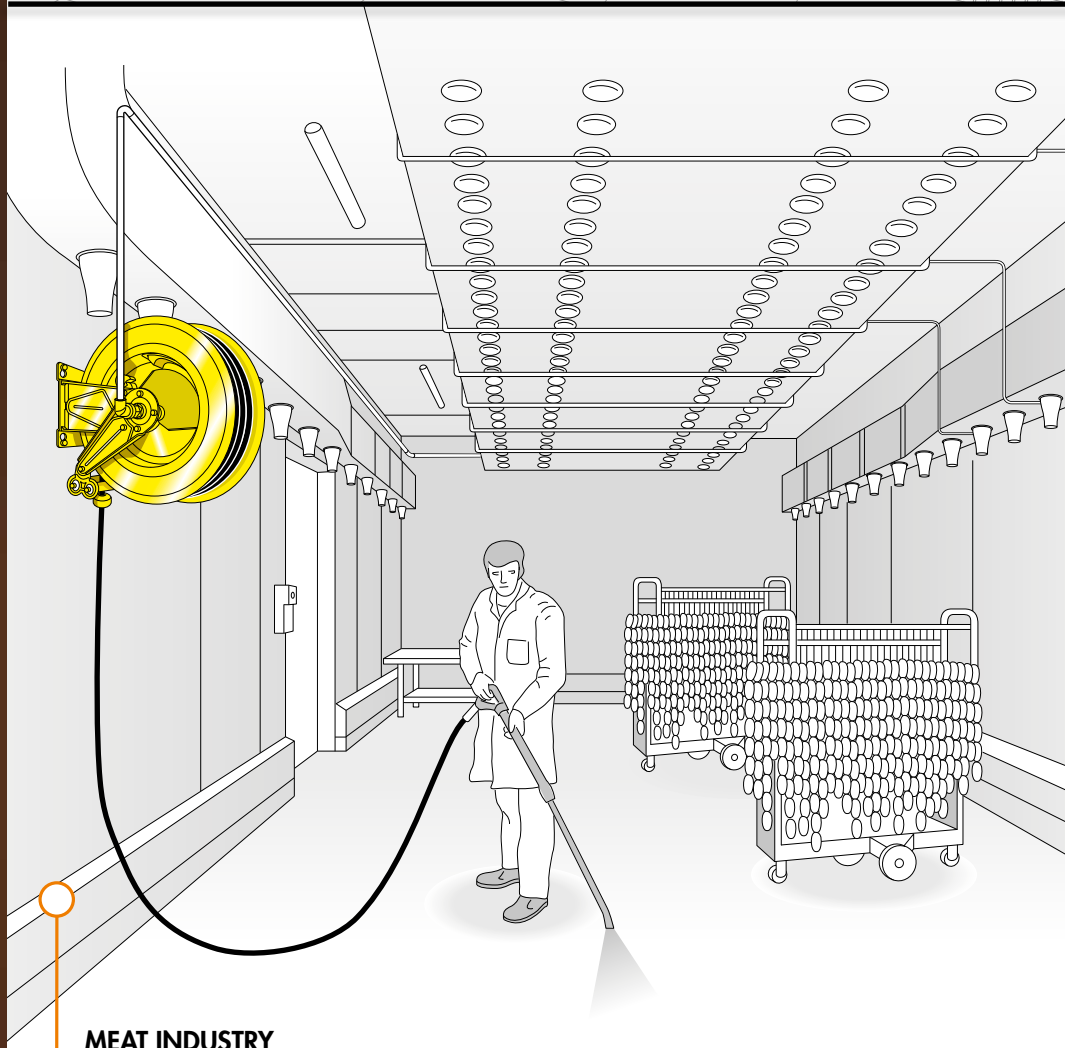
Overall dimensions (mm)



Series	A	B	C	D	E	F	G	H	I
540	557	510	482	190	258	219	182	272	222
560	578	510	667	368	282	248	210	468	399



WINE CELLARS AND INDUSTRY



MEAT INDUSTRY

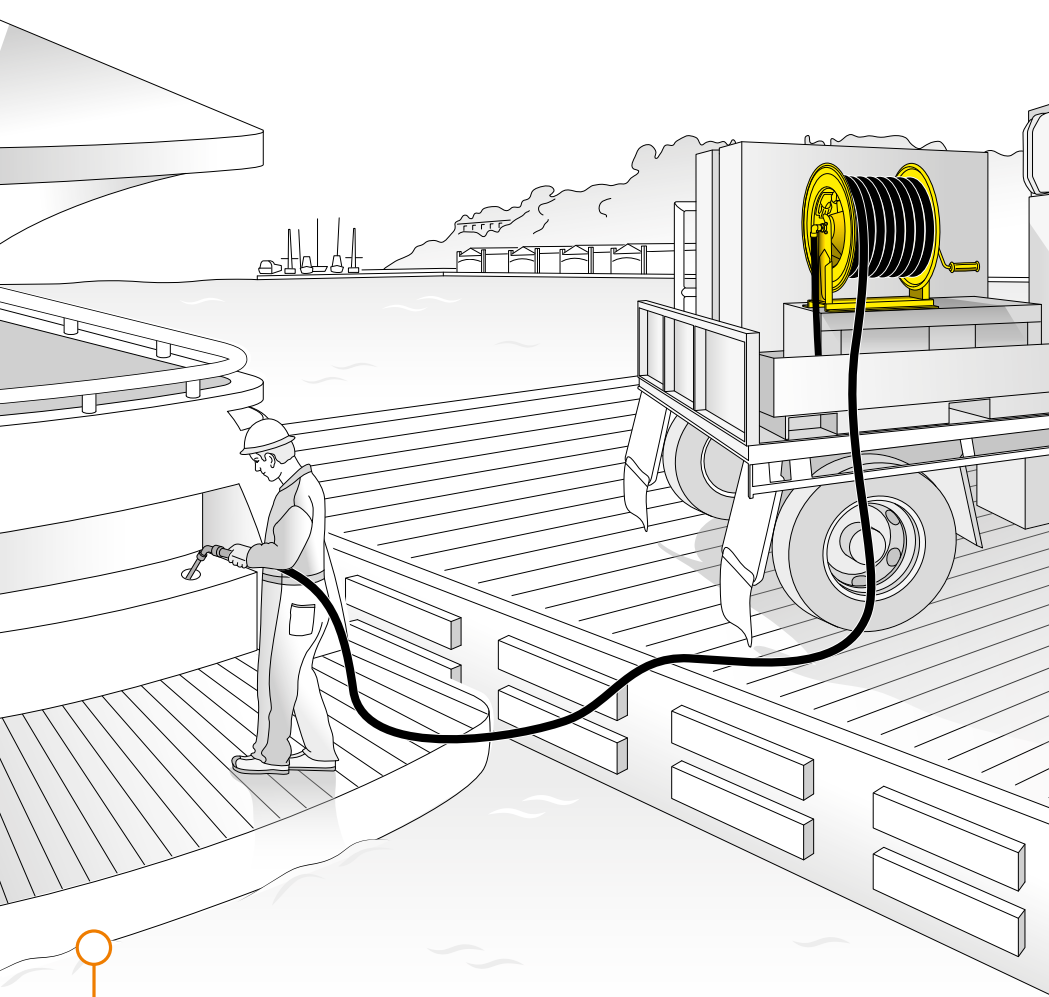
APPLICATION FIELDS

In the food industry, in swimming pools or harbors:

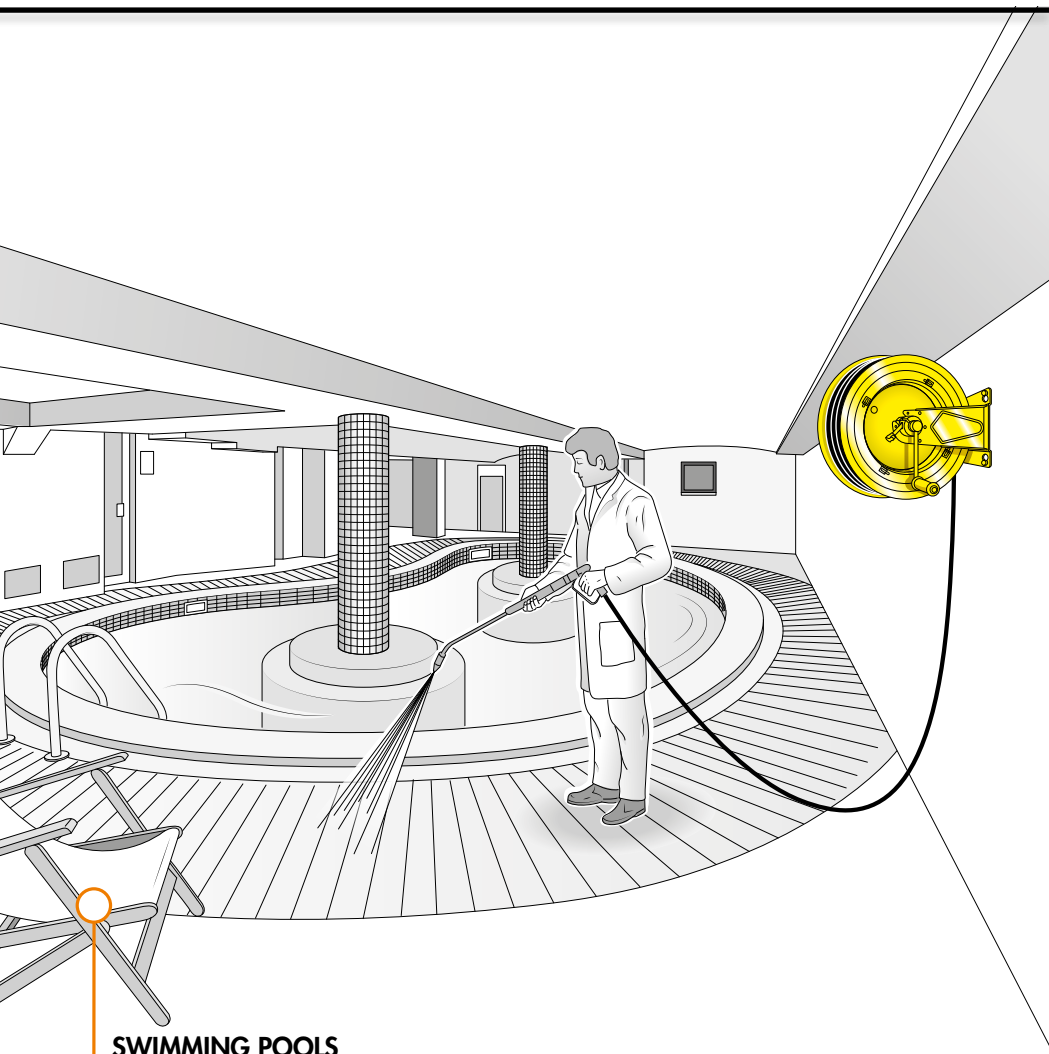
these are only some examples about the use of the stainless steel AISI 316 hose reels.

Other use sectors are:

- heavy industry
- mines
- off-shore platformes
- road cleaning
- wine cellars, dairies and oil mills
- and many others...



REFUELLING BOATS



SWIMMING POOLS